

**PLEASE CHECK WWW.MOLEX.COM FOR LATEST PART INFORMATION**

**Part Number:** [0945069000](#)  
**Status:** **Active**  
**Overview:** [quick\\_disconnect](#)  
**Description:** Quick Disconnect Safelock Housing, accepts 6.35 x 0.81mm (.250"x.032") Female Tab Terminal, 14-20 AWG Wire, 1 Circuit

**Documents:**

[Drawing \(PDF\)](#) [RoHS Certificate of Compliance \(PDF\)](#)

**Agency Certification**

CSA LR19980  
 UL E29179

**General**

Product Family Crimp Housings  
 Series [94506](#)  
 Overview [quick\\_disconnect](#)  
 Product Name Quick Disconnect, Safelock

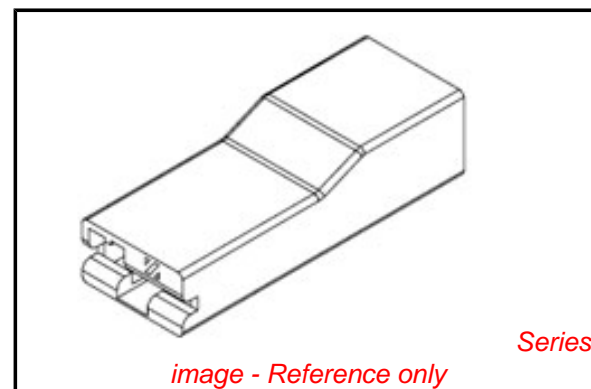
**Physical**

Breakaway No  
 Circuits (maximum) 1  
 Color - Resin White  
 Flammability 94V-2  
 Gender Female  
 Glow-Wire Compliant No  
 Lock to Mating Part None  
 Material - Resin Nylon  
 Number of Rows 1  
 Packaging Type Bag  
 Panel Mount No  
 Pitch - Mating Interface (in) 0.000 In  
 Pitch - Mating Interface (mm) 0.00 mm  
 Pitch - Term. Interface (in) 0.000 In  
 Pitch - Term. Interface (mm) 0.00 mm  
 Polarized to Mating Part No  
 Temperature Range - Operating -40°C to +105°C

**Material Info**

**Reference - Drawing Numbers**

Sales Drawing SD-94506-001



**EU RoHS**

**ELV and RoHS Compliant**  
**REACH SVHC Contains SVHC: No**  
**Halogen-Free Status**

**China RoHS**



**Need more information on product environmental compliance?**

Email [productcompliance@molex.com](mailto:productcompliance@molex.com)  
 For a multiple part number RoHS Certificate of Compliance, [click here](#)

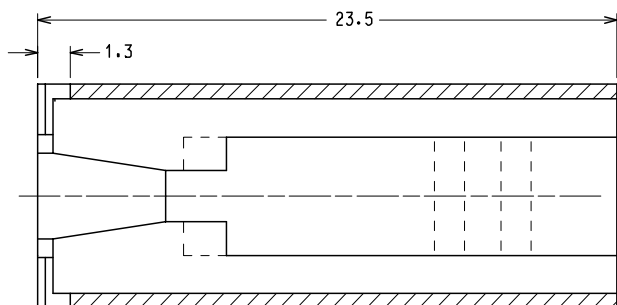
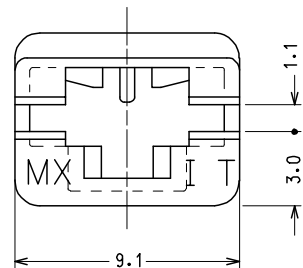
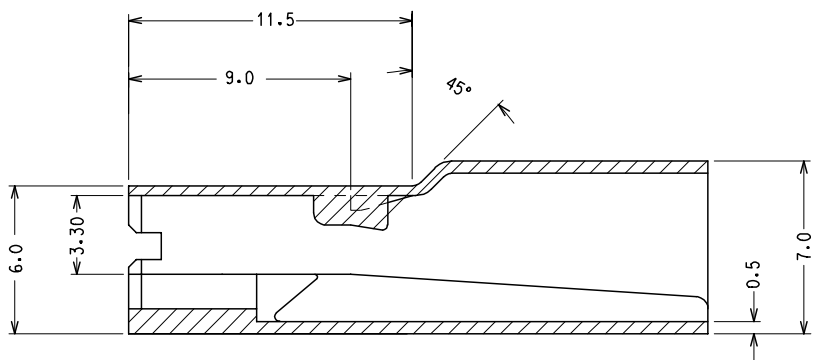
Please visit the [Contact Us](#) section for any non-product compliance questions.

**Search Parts in this Series**

[94506Series](#)

**Use With**

[945060100](#)



CODICE / P/N	COLORE / COLOUR	AGENCY RECOGNIZATIONS	MATERIALE / MATERIAL
94506 - 9000	naturale white (bianco)	CSA (file LR19980) UL (file E29179)	PA 66 UL 94 V2 GWT 850°C
94506 - 9001	nero black	N/A	
94506 - 9002	rosso red	N/A	
94506 - 9004	verde green	N/A	
94506 - 9700	naturale white (bianco)	N/A	PA 66/6 UL 94 V0

IMPIEGATO CON TERMINALE 94506-0\*\*\*  
TO BE USED WITH TERMINAL P/N 94506-0\*\*\*

SPQ = 19500 pz.

Std.Descr: "HOUSING FOR FEMALE TERM (inserire colore) 1CKT"

EC NO: Z2005-0030 DRWN:FGOTTARD 2004/09/23 CHKD:RSANDANO 2004/09/23 APPR:GZUIN 2004/09/23	QUALITY SYMBOLS ▽=0 ▽=0	GENERAL TOLERANCES (UNLESS SPECIFIED)		DIMENSION STYLE	SCALE	DESIGN UNITS	FIRST ANGLE PROJECTION	
				MM ONLY	5:1	METRIC		
		4 PLACES	± ---	± ---	DRAWN BY	DATE	TITLE	
		3 PLACES	± ---	± ---	FGOTTARD	1989/12/14	HOUSING FOR -SAFELOCK- TERMINAL	
2 PLACES	± 0.10	± ---	CHECKED BY	DATE	APPROVED BY		DATE	
1 PLACE	± 0.2	± ---			MPREVIAT		1989/12/14	
ANGULAR ± 2 °		DRAFT WHERE APPLICABLE MUST REMAIN WITHIN DIMENSIONS		MATERIAL NO.		DOCUMENT NO.		
				SEE CHART		SD-94506-001		
				SIZE		SHEET NO.		
				A3		1 OF 1		
THIS DRAWING CONTAINS INFORMATION THAT IS PROPRIETARY TO MOLEX INCORPORATED AND SHOULD NOT BE USED WITHOUT WRITTEN PERMISSION								